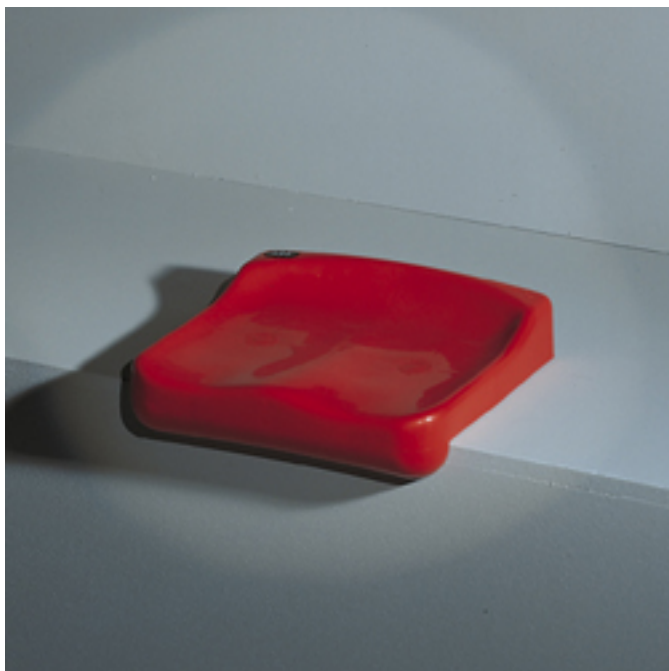


bertelè SEAT

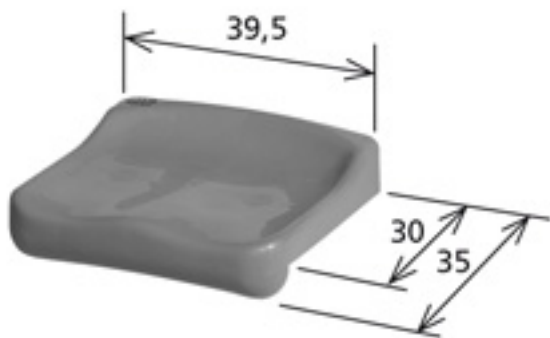


3100.01 - SEAT MOD. BARI

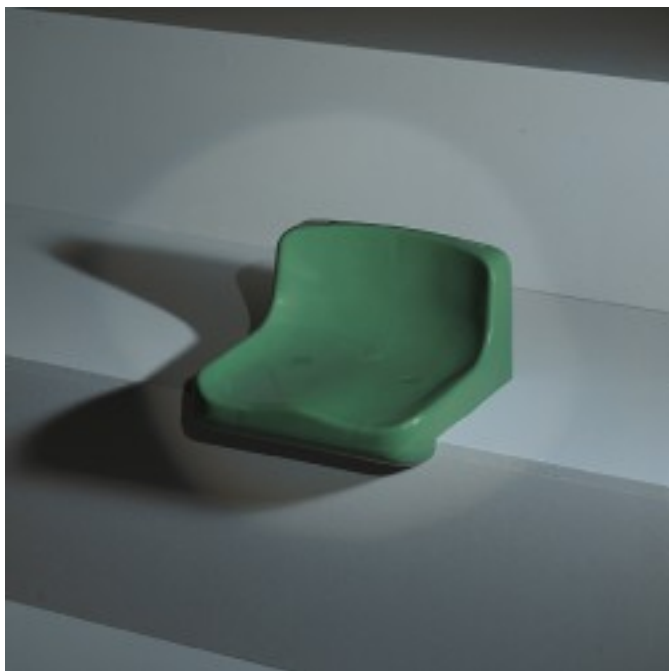


Seat without backrest. Smooth surface, supplied with caps closing the fixing holes, unbreakable. Made of copolymer of polypropylene with anti-UV and fire retardant on request. Inextirpable numbering plate with ineffaceable thermo-pressed numbers placed on the upper part of the seat, in such a position that it is not hidden by the seated spectator. The seat shape allows the automatic rain drainage and is completely without gaps to avoid dirtiness under the seat.

Size: depth 35 cm., width 39,5 cm.

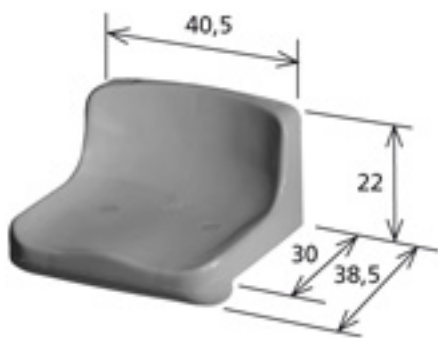


3100.02 - SEAT MOD. TORINO

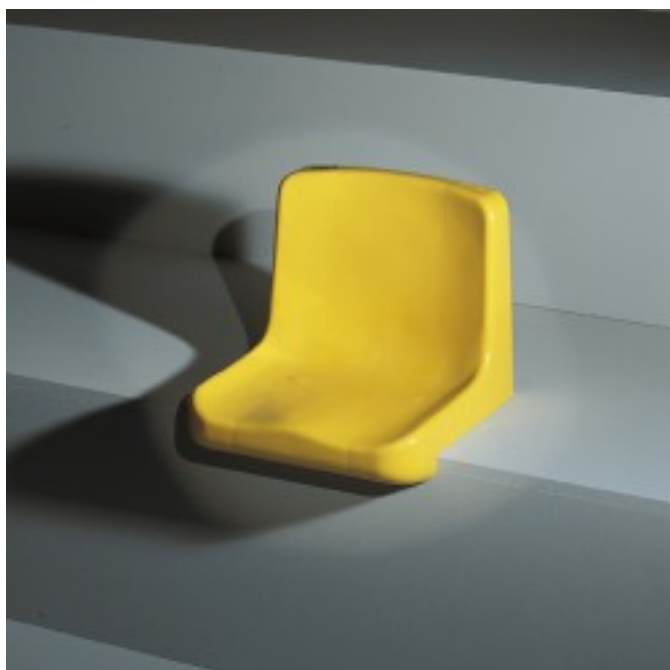


Seat with medium backrest. Smooth surface, supplied with caps closing the fixing holes, unbreakable. Double backrest strengthened by internal ribs. Made of copolymer of polypropylene, with anti UV and fire retardant on request. Inextirpable numbering plate with ineffaceable thermo-pressed number placed on the upper part of the backrest, in such a position that it is not hidden by the seated spectator. The seat shape allows the automatic rain drainage and is completely without gaps to avoid dirtiness under the seat.

Size: depth 38,5 cm., width 40,5 cm., backrest height from the step 22 cm.



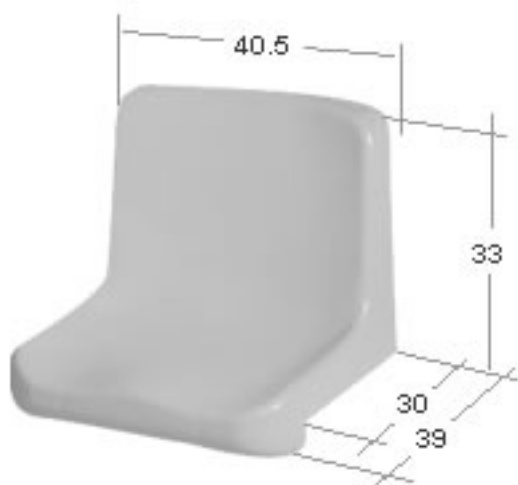
3100.03 - SEAT MOD. MARSIGLIA



Seat with high backrest. Manufactured ACCORDING TO FIFA'S GENERAL RECOMMENDATIONS ON SEATING. Smooth surface, supplied with caps closing the fixing holes, unbreakable. Double backrest strengthened by internal ribs. Made of copolymer of polypropylene with anti-UV and fire retardant on request.

Inextirpable numbering plate with ineffaceable thermo-pressed number placed on the upper part of the backrest, in such a position that it is not hidden by the seated spectator. The seat shape allows the automatic rain drainage and is completely without gaps to avoid dirtiness under the seat.

Size: depth 39 cm., width 40,5 cm., backrest height from the step 33 cm.



3100.04 - SEAT MOD. MILANO



Seat with high backrest. Manufactured ACCORDING TO FIFA'S GENERAL RECOMMENDATIONS ON SEATING. Smooth surface, supplied with caps closing the fixing holes, unbreakable. Stackable double backrest. Made of copolymer of polypropylene with anti-UV and fire retardant on request.

Inextirpable numbering plate with ineffaceable thermo-pressed number placed on the upper part of the backrest, in such a position that it is not hidden by the seated spectator. The seat shape allows the automatic rain drainage and is completely without gaps to avoid dirtiness under the seat.

Size: depth 39 cm., width 43 cm., backrest height from the step 35 cm.



3100.05 - SEAT MOD. FRANKFURT



Seat with high backrest. Manufactured ACCORDING TO FIFA'S GENERAL RECOMMENDATIONS ON SEATING. Smooth surface, supplied with caps closing the fixing holes, unbreakable. Stackable double backrest. Made of copolymer of polypropylene with anti-UV and fire retardant on request. Inextirpable numbering plate with ineffaceable thermo-pressed number. The seat is provided with a proper hole for water drainage. Design with rounded edges. Ergonomic seat.

Size: depth 38 cm., width 44 cm., backrest height from the step 32,5 cm.



BERTELE' via Degli artigiani. 23 22040 Lurago d'Erba (CO) ITALY
Tel. +390 31 699053 Fax. +390 31699210
www.bertele.com info@bertele.com